



BLUE PAPER
ALMA
HYDRO 2021

ORBEA



INDEX

EN P.03 | ES P.29

01 INTRODUCTION	4
Key to symbols	
02 ORBEA WARRANTY	6
03 MAINTENANCE	8
Maintenance schedule	
Spare parts	
After a crash or an impact	
04 WARNINGS OF USE	12
Maximum tyre width	
Minimum seatpost insertion	
Maximum fork length	
Maximum number of headset spacers	
Headset spacers on top of the stem	
Intended use	
05 ALMA HYDRO 2021	14
Geometry and sizing	
Technical specifications	
Assembly and spare parts	
Headset	
Rear axle / Derailleur hanger	
Frame hardware	
Cabling	
Suspension	
06 DECLARATION OF CONFORMITY	26
07 ADDITIONAL INFORMATION	27

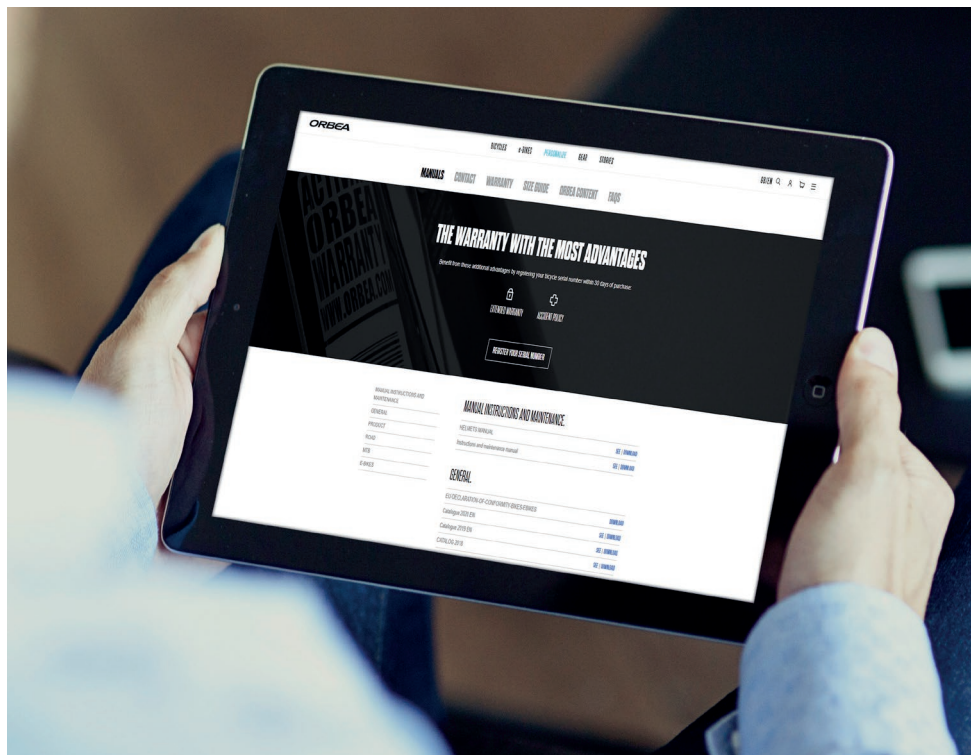
01 INTRODUCTION

This technical manual contains important information about your bicycle, its use, maintenance and replacement parts. Please read it carefully.

This document is a supplement to the General User's Manual for Orbea bicycles and components, which describes in a more detailed manner their appropriate use and the adjustment of the general components of the bicycles for safe riding and operation. You can see and download the User's Manual and the rest of the technical manuals for Orbea products from our website:

www.orbea.com/us-en/soporte/manuales

You can consult the information on the use, maintenance and characteristics of the components of other manufacturers that are assembled on our bicycles, such as wheels, handlebars, pedaling assistance systems, suspension forks, etc, on the manufacturer's website or through their dealer in your country.



KEY TO SYMBOLS

Throughout this technical manual, various symbols are used that indicate instructions and warnings for use, maintenance and assembly. Pay attention to these symbols to avoid hazardous situations and ensure the correct use and assembly of all components.

The meaning of these symbols is explained below. In this manual, the symbol may appear accompanied only by the relevant instruction for the component described. Read the following information carefully in order to understand their meanings.

SAFETY INSTRUCTIONS

DANGER: Immediately hazardous situation. If not avoided, serious injury or even death will occur.

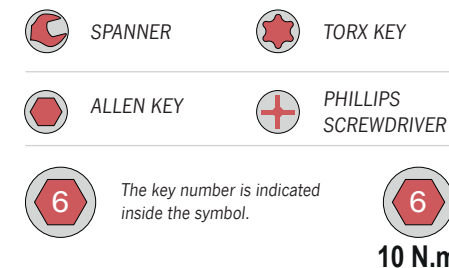
WARNING: Potentially hazardous situation. If not avoided, serious injury or even death may occur.

CAUTION: Potentially hazardous situation. If not avoided, minor or moderate injury may occur.

NOTICE Not related to injury. Property situation hazard.

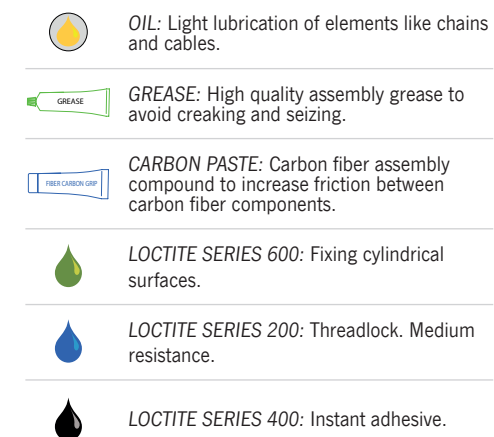
The symbols **DANGER** and **WARNING** inform about a dangerous situation that, if not avoided, may cause an accident. An accident while riding a bicycle always poses risk of serious injury or even death. In this manual, the risk of death may therefore not always be mentioned when these symbols appear, since the risk is explained here.

TOOLS AND TIGHTENING TORQUES



TIGHTENING TORQUES: The corresponding tightening torque (in Newtons/meter) is indicated beneath the symbol of the tool to use for the element described.

ASSEMBLY COMPOUNDS



02 ORBEA WARRANTY

Our continuous daily effort to provide maximum quality of our bicycles allows us to offer the following warranty and coverage conditions:

LEGAL WARRANTY

Orbea offers the original owner of the Orbea bicycle, rigid fork or OC component a legal warranty of 2 years from the date of purchase of the items, or the period stipulated as the legal warranty in the country of purchase.

This warranty covers all Orbea products against manufacturing defects and/or lack of compliance and guarantees the repair or replacement of the defective product at no cost to the affected customer. Likewise, this warranty also covers paint, varnish and corrosion defects on all frames and rigid forks assembled on our bicycles during the period specified in the previous paragraph of this warranty.

This warranty does not cover in any case damage derived from inappropriate use, falls or accidents or the lack of maintenance, as well as the normal wear and tear of consumable parts, such as, by way of example, but without limitation: seals, bearings, handlebar tape, spokes, tires, saddles, etc.

For a full description of the coverage conditions and the legal warranty, please visit:

www.orbea.com/us-en/garantia

ORBEA LIFETIME WARRANTY

As a supplement to the legal warranty, Orbea offers the original buyer of the bicycle the Orbea lifetime commercial warranty, as long as they have registered their product on the Orbea website within 30 days of its purchase. This lifetime warranty covers the frames and rigid forks that we mount on our bicycles against manufacturing defects and material conformity issues with no time limitation.

This warranty extends the original period of coverage against paint, varnish or corrosion defects on the frames and rigid forks for one additional year after the end of the legal warranty period.

Orbea's lifetime commercial warranty only covers frames and rigid forks, but not OC components.

For a full description of the warranty conditions for the lifetime warranty, please visit:

www.orbea.com/us-en/garantia#garantia-deporvida-orbea

REGISTER YOUR BICYCLE

In order to benefit from the Orbea lifetime warranty extension, you must register your bicycle within 30 days of its purchase at:

www.orbea.com/es-es/acceso-registro?from=register-plate/

01. REGISTER YOUR ACCOUNT

ARE YOU PART OF THE ORBEA COMMUNITY?

Enter to activate your warranty and manage your account.

EMAIL ADDRESS*

PASSWORD*

*Required fields

ENTER

REGISTER AT ORBEA

Join us and create your Orbea account. Fill in the form with your personal information to start enjoying the following advantages, among others:

- **ORBEA WARRANTY**: Enter the bike's registration number to activate your [lifetime warranty](#).
- **NEWSLETTERS**: Subscribe to our newsletters.
- **ONLINE SHOPPING**: Manage your purchases and check your order status.

EMAIL ADDRESS*

PASSWORD*

RE-ENTER PASSWORD*

I have read and I accept the [terms and conditions](#) and the [privacy policy](#).

I want to subscribe to Orbea's news bulletin and I confirm that I have read and I accept the [privacy policy](#).

*Required fields

SIGN UP

02. REGISTER YOUR BARCODE

REGISTRO DE GARANTÍA

Registra la matrícula de tu bicicleta para disfrutar de la Garantía Orbea

MATRÍCULA* (Orbea.com.es/matricula) FECHA DE COMPRA*

01170193951 2020-07-26

MI NIVEL DE SATISFACCIÓN

MI NIVEL DE SATISFACCIÓN CON EL PROCESO DE COMPRA ES...* MI NIVEL DE SATISFACCIÓN CON EL PRODUCTO ES...*

Definitivamente Definitivamente

Quiero suscribirme a los beneficios de actualidad de Orbea y he leído y acepto la [política de privacidad](#) descrita a continuación.

He leído y acepto los [términos y condiciones](#) de la garantía Orbea y la [política de privacidad](#).*

Con el fin de hacer un buen uso de tu bicicleta y evitar el máximo período de espera puedes consultar el manual de instrucciones y mantenimiento [aquí](#).

*Campos obligatorios

REGISTRAR MATRÍCULA

03. WHERE TO FIND YOUR BARCODEA



WARRANTY CLAIM PROCESS

All warranty claims must be processed through an authorized Orbea dealer, who will perform the initial diagnosis and send Orbea all the necessary documentation for a complete diagnosis of the claim in question. The dealer will inform the owner about the status of the process and the decision made on the warranty claim by Orbea.

We recommend that you always visit the dealer where you purchased your bicycle to process a warranty claim, or the dealer you chose during the process of purchasing a bicycle that was delivered directly to your home. If you cannot visit the original dealer, you can check the list of authorized dealers on our website or contact Orbea directly so we can indicate the dealer you should visit.

www.orbea.com/es-es/distribuidores/?country

www.orbea.com/us-en/contacto

03 MAINTENANCE

Orbea products are carefully designed to be long-lasting, efficient and easy to maintain. The carbon and aluminum frames and forks are extremely corrosion-resistant.

However, your bicycle needs regular maintenance of its components in order to ensure that it works properly and safely, and to ensure its longevity.

KEEP YOUR BICYCLE CLEAN

Clean your bicycle with mild soap and water on a regular basis to keep it working like new, and check the condition of the frame and its components. Do not use pressurized water, since it could damage components like bearings or the tubes of the frame.

Citrus-based degreasers are biodegradable and very effective in removing grease from drivetrain components and the chain.



Accumulated dirt can complicate the visual inspection of the components and hide damage that could potentially cause malfunctions or accidents.

NOTICE

Built-up dirt causes the premature wear of components and can even damage the bicycle frame in areas such as the bearing housings and moving parts. Damage due to the lack of cleaning and maintenance is not covered by the warranty.

KEEP YOUR DRIVETRAIN LUBRICATED

Once you have cleaned your bicycle, lubricate the drivetrain, specifically the chain. Use the minimum amount necessary to lubricate the links, removing any excess amounts to prevent them from attracting dirt, causing the drivetrain to not work properly and the premature wear of the components.



Avoid the use of aerosol lubricants to prevent them from adhering to the brake surfaces. Always check the brakes after lubricating the drivetrain.

INSPECT YOUR BICYCLE BEFORE EVERY RIDE

Do a quick check before each ride to make sure that your bicycle is in optimal operating conditions. You might discover small problems that could turn into major issues during the ride.

FRAME: Inspect the frame and the fork, looking for cracks or other damage. No strange noises should be heard. In the event of any damage to the frame, avoid using the bicycle and contact your authorized dealer for inspection.

CHAIN: Ensure it's clean and lubricated. The drivetrain should not make any abnormal noises.

BRAKES: Check that the brakes operate properly and in a safe manner. Check the tightening torques of the components.

TIRES: Check for worn tires and look for cuts on the tread or sides. If you spot damage, replace the tire. Make sure that the tire pressure is adequate.

WHEELS: Check that the wheels turn smoothly and show no signs of lateral deviations. Turn the wheel slightly from side to side to check that there is no lateral play in the bearings. Make sure that there are no broken or loose spokes. Check that the axles or quick-release levers are securely tightened with the correct tightening torque.

HEADSET: Activate the front brake and move the front part of the bicycle back and forth, applying pressure on the handlebars with the rear wheel on the ground. Check for strange noises or movement of the headset, which could indicate that the bearings are worn or the headset has not been correctly tightened. Once the headset is correctly adjusted, check that it turns smoothly.

LINKAGE PIVOT POINTS: On full suspension bicycles, check that all the linkage pivot points rotate smoothly and show no signs of play in the bearings. Pull the linkages from side to side on the bicycle and pay attention to any noise or play at the pivot points. If the linkages do not operate smoothly or show signs of play, it could be a sign that the tightening torques are incorrect or that the bearings are worn or damaged.

BEARINGS: The bearings (bottom bracket, linkage pivot points, headset, wheels, etc.) are elements subject to wear that must be inspected on a regular basis to ensure that they operate correctly. Bearings in poor condition can damage the components in which they are installed. Adverse weather conditions speed up bearing wear. Bearings that have excessive play or that do not turn smoothly must be replaced immediately. In the case of any doubt, consult your authorized dealer.

NOTICE

Damage to components like the frame, bicycle wheels, etc. associated with the lack of maintenance and the replacement of the bearings are not covered by the warranty conditions.



Failure to follow the recommendations outlined in this manual and riding a bicycle that shows signs of the symptoms described above may cause accidents and serious injuries.



TIGHTENING TORQUES. Always check the tightening torques and install the components described in this manual according to the tightening torque specifications. Follow the tightening torque specifications for components from other manufacturers installed on your Orbea bicycle. The failure to follow these specifications may lead to the malfunction of the components, accidents and even death.

MAINTENANCE SCHEDULE

NOTICE

Maintenance periods for the components indicated below are general guidelines and largely depend on factors such as weather conditions in which your bicycle is ridden (adverse conditions considerably reduce the life of the components and increase maintenance frequency), the cleanliness of your bicycle and its components (components with accumulated dirt wear more quickly), and use (more demanding use of the bicycle will require more frequent maintenance periods).

For components from other brands mounted on Orbea bicycles, you can check the recommended or mandatory maintenance periods on the manufacturer's website or by contacting the distributor of that brand in your country.

NOTICE

Damage to components as a result of failing to follow the recommended maintenance periods could result in damage that is not covered by the warranty conditions of Orbea or the component manufacturer.



The failure to comply with maintenance periods could result in damage to the components and lead to malfunctions and accidents.

HEADSET

- Inspection of its operation before each ride.
- Disassembly and manual inspection of the bearings once every 6 months of use.

BOTTOM BRACKET:

- Inspection of its operation before each ride.
- Disassembly and manual inspection of the bearings once every 6 months of use.

DRIVETRAIN:

- Inspection of its operation before each ride.
- Regular inspection of chain wear every 500 km. A chain that is worn beyond the manufacturer's recommendations

must be replaced to prevent damage to the rest of the drivetrain components. The failure to observe the manufacturer's recommendations in terms of wear could necessitate the replacement of the rest of the parts of the drivetrain.

WHEELS:

- Inspection of its operation before each ride.
- Disassembly and manual inspection of the bearings and all components once every 6 months.

SHOCKS AND SUSPENSION FORKS:

- Inspection of its operation before each ride.
- Inspection and full maintenance every 125 hours or once a year (whichever occurs first) by the manufacturer's authorized dealer.

TELESCOPIC SEAT POSTS:

- Inspection of its operation before each ride.
- Inspection and full maintenance every 125 hours or once a year (whichever occurs first) by the manufacturer's authorized dealer.

PIVOT POINTS ON FULL SUSPENSION FRAMES:

- Inspection of its operation before each ride.
- Disassembly of the frame and the manual inspection of all the bearings every 125 hours of use or once a year (whichever occurs first). These times may be shorter depending on the conditions in which the bicycle is ridden. More demanding use of the bicycle or use in adverse weather conditions or in mud requires the disassembly and inspection of the frame once every 75 hours of use or once every 6 months (whichever comes first). If a bearing does not turn smoothly or has excessive play, it must be replaced immediately.

GEAR CABLES AND HOUSING:

- Inspection of its operation before each ride.
- Replacement of gear cables every 6 months to 1 year depending on the conditions in which the bicycle is used.

BRAKES:

- Inspection of the operation and wear of the brake pads or shoes before each ride.
- Check the wear on disc brakes and the cables or hydraulic lines every 6 months to 1 year depending on the conditions in which the bicycle is used. Flush the hydraulic lines once a year.



Some of these checks and maintenance needs go beyond the mechanical knowledge of most bicycle users. If you are not qualified to perform the necessary maintenance, always visit an Orbea dealer for maintenance on your bicycle and its components. The failure to perform proper maintenance can result in malfunctions and accidents with serious consequences.

NOTICE

Maintenance performed incorrectly can damage the components, which are not covered by the warranty conditions.

REPLACEMENT PARTS

Always use original Orbea replacement parts or those from the component manufacturer in question.



The use of non-original replacement parts may cause damage that results in malfunctions and accidents with serious consequences.



The installation of some of the replacement parts in this technical manual are beyond the mechanical knowledge of most bicycle users. If you are not qualified to install these replacement parts, always visit an Orbea dealer for maintenance on your bicycle and its components. The failure to properly install replacement parts can result in malfunctions, accidents and serious injuries.

NOTICE

The installation of non-original replacement parts can damage your bicycle and is not covered by the warranty conditions.

AFTER A CRASH OR AN IMPACT

Falling off your bike is part of cycling. If you have an accident on your Orbea bicycle, be sure that you're okay and seek medical care, if necessary. If you are uninjured, you should check the condition of your bicycle before continuing to ride.

INSPECT THE FRAME AND THE BICYCLE COMPONENTS TO SEE IF THEY HAVE BEEN DAMAGED IN ANY WAY

If you detect any problem, do not continue to ride the bicycle.

POINTS TO CHECK

Inspect the frame and the fork to identify whether either of these components have been broken or bent. If you detect any damage or cracks, you must stop using the bicycle immediately. On carbon frames, look for cracks or soft spots in the carbon. If you detect any of these symptoms, you must stop using the bicycle immediately.



The materials used on carbon frames and forks are rigid and strong, but if overloaded or if they suffer an impact, the fibers do not bend, and they will break. A strong enough impact to this material could cause damage that, while not visible at first glance, could cause the materials to fail in the future. In the case of any doubt about the consequences of a fall or accident, contact your Orbea dealer for a correct diagnosis of the materials.

Check the drivetrain and the wheels to make sure that the components operate correctly. If you discover any damage to the components, stop using the bicycle immediately.

Even if you do not observe any damage, pay close attention to the sound of your bicycle when you ride it again. Damage and other problems can cause unusual noises. If you notice any unusual noise, stop using your bicycle immediately and contact your Orbea dealer for a correct diagnosis of the problem.

TAKE YOUR ORBEA BICYCLE TO AN AUTHORIZED DEALER FOR A PROFESSIONAL INSPECTION

Some of the consequences of a fall or accident can only be detected by completely disassembling the bicycle to check for the presence of damage or other signs of deterioration.



A collision or impact can cause serious damage to your bicycle and its components, causing them to malfunction or wear out prematurely. Malfunctions can occur suddenly and without notice, causing you to lose control of your bicycle and suffer serious injuries, or even death.

04 WARNINGS OF USE

MAXIMUM TYRE WIDTH

This technical manual specifies the maximum size of the tyres that can be mounted on the frame. Always follow these guidelines when installing tyres on your bicycle.

However, the real measurements of the tyre circumference and width may change from one manufacturer to another. When installing a tyre other than that originally mounted on your Orbea bicycle, check that there is at least 6 mm between the top and the sides of the tyre and any part of the frame.

NOTICE Damage to the frame or components due to the use of a tyre that does not comply with these measurements is not covered by the warranty conditions.

MINIMUM SEATPOST INSERTION

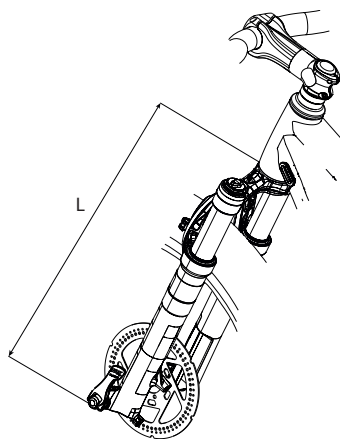
Always follow the specifications regarding the minimum insertion depth of the seatpost or the frame on road bicycles with exclusive Orbea seatposts. The failure to follow these instructions can cause stresses on the materials beyond the conditions for which they were designed and cause damage not covered by the warranty conditions, as well as accidents that can result in serious injuries.

MAXIMUM FORK LENGTH (AXLE TO CROWN)

Always abide by the maximum fork length listed in the technical specifications section of this manual. The maximum fork length refers to the distance between the fork axle and the bottom part of the head tube (axle to crown).



The failure to abide by this measurement and install forks with a length greater than the maximum specifications can force the frame beyond its design characteristics, possibly resulting in malfunctions of the material that could cause accidents and serious injuries.



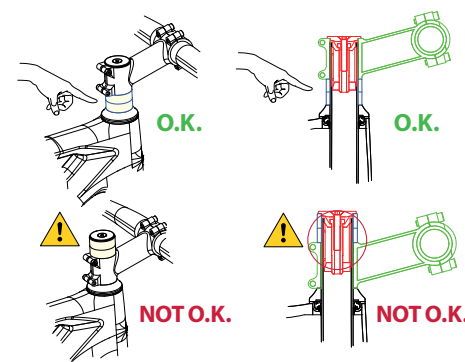
MAXIMUM NUMBER OF HEADSET SPACERS



Never use more headset spacers below the stem than those specified for the frame. Consult the specifications tables to find out the maximum number of headset spacers that are acceptable for use on an Orbea frame. Installing more spacers than those permitted can stress the materials beyond the use for which they were designed, which can cause accidents and serious injuries.

HEADSET SPACERS ABOVE THE STEM

CARBON EXPANDER POSITION INSIDE THE FORK STEERER TUBE



Never install headset spacers above the stem. Placing spacers above the stem, especially on forks with a carbon steerer tube, can cause the carbon expander inside the fork tube to be positioned above the lower limit of the steerer tube, which can stress the materials beyond the use for which they were designed, possibly causing accidents and serious injuries.



The length of the fork steerer tube must always be appropriate for the position of the stem in the fork. The stem must always be installed in the steerer tube of the fork so that both fastening bolts on the back of the stem are positioned above the surface of the steerer tube of the fork. Never mount the stem so that the top fastening bolt of the stem remains above the top edge of the fork steerer tube. This will stress the materials beyond the use for which they were designed, possibly causing accidents and serious injuries.

INTENDED USE

The intended use of all models is ASTM Condition 3, that includes Condition 1 and 2 as well as technical natural trails with jumps and drops up to 61 cm.

The use of a bicycle on this terrain requires technical skills and may cause beginners to sustain injuries.

For information about all ASTM categories, consult the General User Manual.



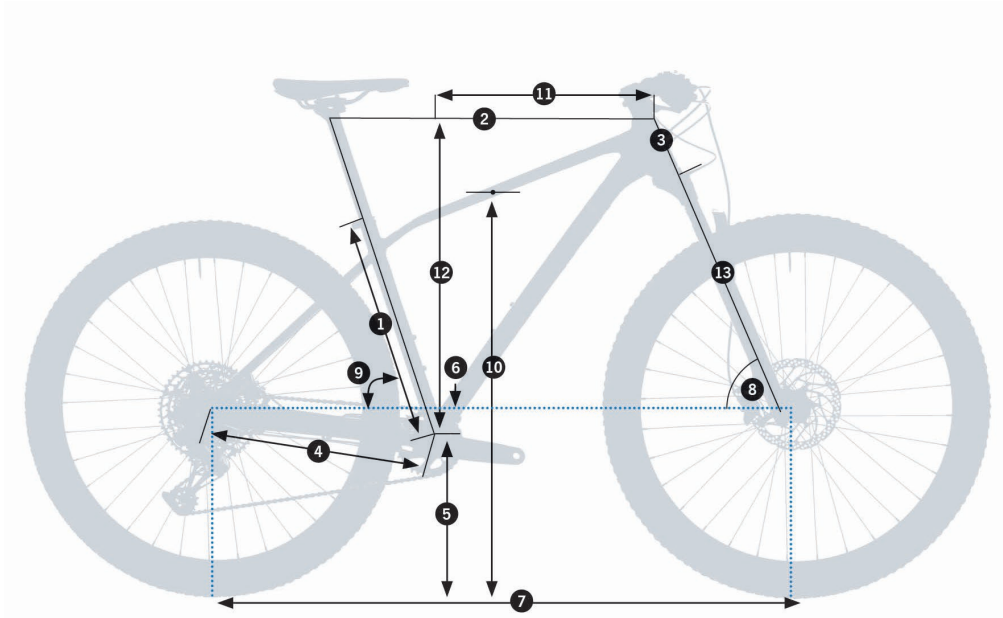


05 ALMA

HYDRO 2021

GEOMETRY AND SIZING

ALMA HYDRO



SIZES	S	M	L	XL
1 - Seat Tube (C-T)	400	445	483	533
2 - Top Tube (EFF)	562	596	620	650
3 - Head Tube	100	110	120	135
4 - Chainstay	435	435	435	435
5 - BB Height	309	309	309	309
6 - BB Drop	61	61	61	61
7 - Wheelbase	1,092	1,127	1,152	1,184
8 - Head Angle	68	68	68	68
9 - Seat Angle	74.5	74.5	74.5	74.5
10 - Standover	721	735	791	829
11 - Reach	395	426	448	474
12 - Stack	602	612	621	635
13 - Fork Length	501.6	501.6	501.6	501.6

HEIGHT (CM)	HEIGHT (IN)	SIZE*
155-170	61.1"-66.9"	S
165-180	65.0"-70.9"	M
178-190	70.1"-74.8"	L
185-198	72.8"-78.0"	XL

* These sizing measurements are an approximate guide. The most effective method to choose the right size for you is to try the bicycle at one of our authorized dealers.

MAXIMUM AND MINIMUM SADDLE HEIGHT WITH A DROPPER SEATPOST

Find below a table with the maximum and minimum possible height with the seatpost in its extender position.

The maximum height refers to the seatpost installed in its minimum insertion, which is defined by the seatpost.

The minimum height refers to the seatpost installed in its maximum insertion, which is defined by the frame.

Only the measurements with the seatpost and saddle options offered by Orbea for a given frame are listed. To know these measurements for any other seatpost brand and model, consult the seatpost dimensions with the manufacturer and check the maximum insertion for each size frame on this manual.

NOTICE The measurements given show the distance between the center of the bottom bracket shell to the middle of the saddle's top (saddle models specified from Orbea).

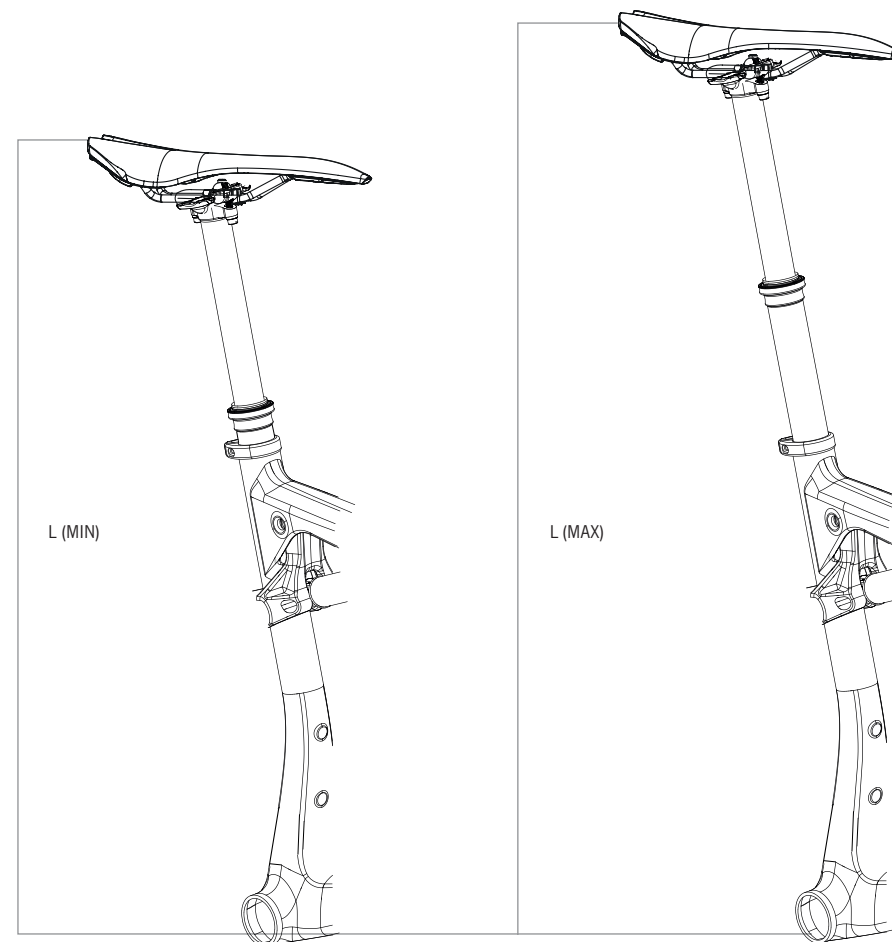
Different saddle models in the market may vary these heights by +/-5mm depending on the saddle model height. If your saddle height differs from the values on the table by less than 5mm, it may be possible to adjust the height by means of an aftermarket saddle of a different height.

If your saddle height differs from the values on the table by more than 5mm, choose a longer or shorter travel seatpost.

FRAME/SIZE

DROPPER SEATPOST MODEL		FRAME/SIZE			
		ALMA H (S)	ALMA H (M)	ALMA H (L)	ALMA H (XL)
OC 27.2 80mm drop	Maximum saddle height	724mm*	769mm*	806mm*	857mm*
	Minimum saddle height	660mm*	654mm*	670mm*	721mm*

*The measurements may vary +/-5mm depending on the height of the saddle model.



TECHNICAL SPECIFICATIONS

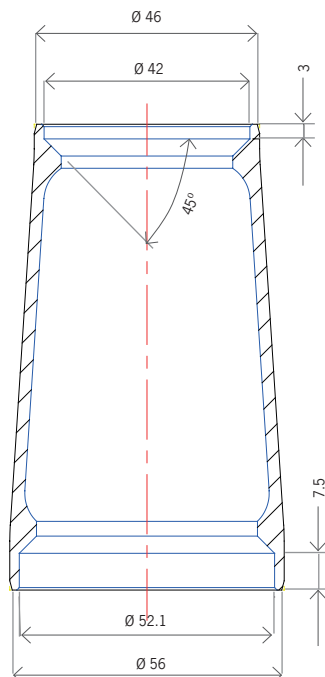
Frame material	HYDROFORMED ALUMINUM 6061 TRIPLE BUTTED
Recommended use	XC, MARATHON
Sizes	S/M/L/XL
Fork travel	100mm
Maximum fork travel	100mm
Maximum fork length (axle-to-crown)	510.8mm
Maximum number of headset spacers	30mm
Wheel size	29"
Maximum tyre width (rear)	29x2.40
Fork offset	44mm
Bottom bracket shell width	73mm
Bottom bracket standard	THREADED BSA 73mm
Chainline	52mm
Headset	1" 1/8-1" 1/2 INTEGRATED
Rear axle standard	BOOST 148 THRU-AXLE
Rear axle measurements	12x168mm
Rear axle thread pitch/length	1.5x12mm
Seatpost diameter	27.2mm
Seatpost clamp diameter	31.8mm
Seatpost maximum insertion	S (200mm), M (240mm), L (275mm), XL (320mm)
Internal cabling of dropper seatpost	YES
Front derailleur	NO. 1X ONLY
Maximum chainring size	36T

Maximum size oval chainring	34T
Minimum chainring size	30T
Minimum oval chainring size	30T
Brake type	DISC*
Rear brake caliper standard	POST MOUNT
Maximum rear rotor size	160mm
Minimum rear rotor size	160mm
Compatible chainguide	NO
ISCG	NO
Cabling	Internal in downtube External on chainstays. Full sleeve
Compatible rear brake left	YES. Rear brake hose enters the frame on the left
Bottle holder	2. In all sizes
Transmission compatibility	SHIMANO: 11S and 12S SRAM: 11S and 12S
Compatible SHIMANO D12	NO
Compatible SRAM AXS	YES
Powermeter compatibility	Consult dimensions and compatibility with manufacturer
Trailer compatible	NO
Rear rack compatible	NO
Fixed mudguard compatible	NO
Child seat compatible	NO

* Not all calipers and rotors in the market are compatible with all frames. All components specified from Orbea have been tested. For aftermarket options, check components dimensions and tolerances before purchasing.

HEADSET

HEADTUBE DIMENSIONS



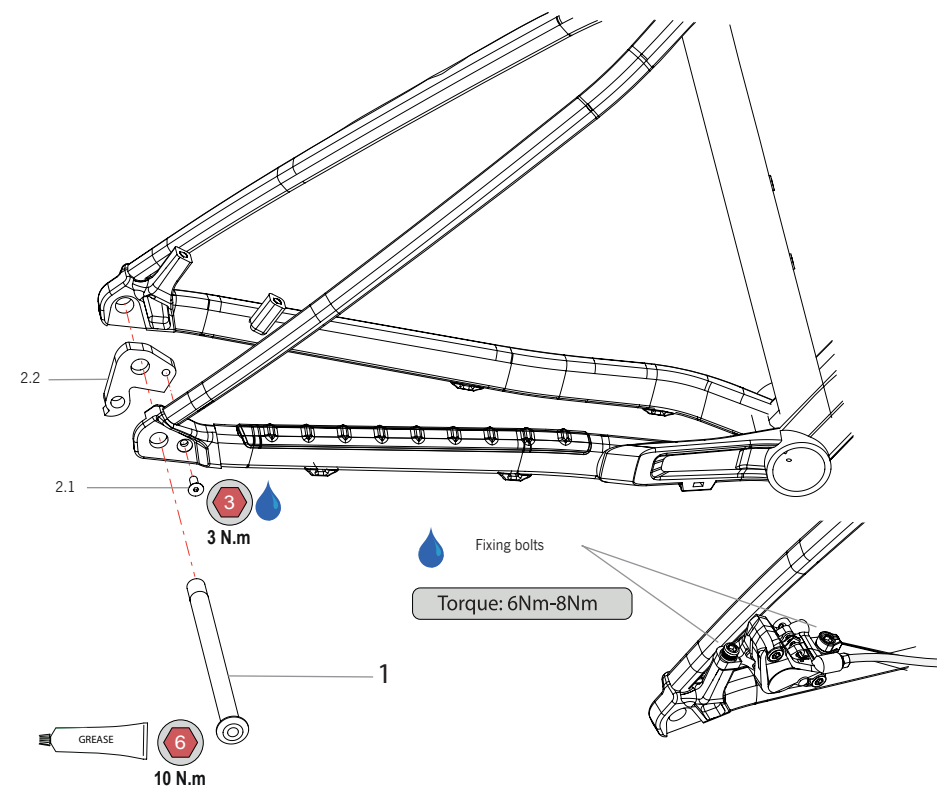
HEADSET SHIS CODE

EXTERNAL HEADTUBE DIAMETER	Ø46
TOP BEARING	IS42/28.6
TOP BEARING ANGLE	45°
BOTTOM BEARING	IS52/40
BOTTOM BEARING ANGLE	45°

MTB INTEGRATED HEADSET 1" 1/8"-1" 1/2"

ART N°: X0230000	QUANTITY
ACROS 1-1/8"-1-1/2" INTEGRATED HEADSET	1
TOPCAP+STARNUT 1-1/8"	1

REAR AXLE / DERAILLEUR HANGER



⚠ Always follow the recommended torque settings.

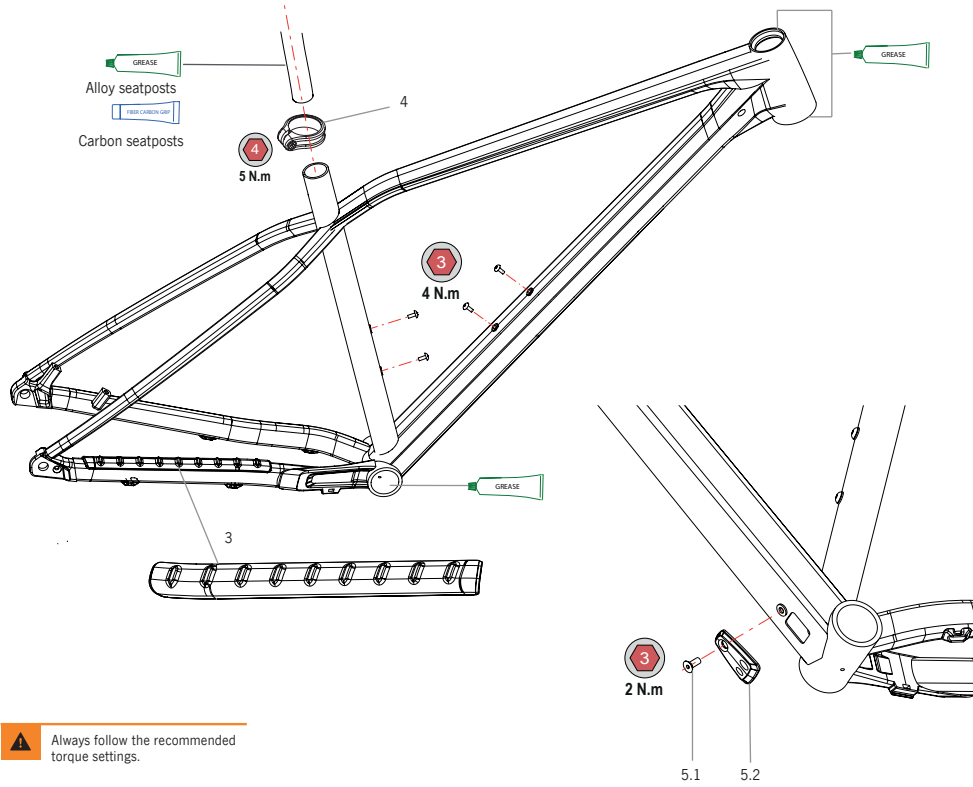
01 ORBEA THRU-AXLE 12x168 (1.5x12)

ART N°: X0800000	QUANTITY
ORBEA THRU-AXLE 12x168 (1.5x12)	1

02 REAR DERAILLEUR HANGER STD X12

ART N°: X0810000	QUANTITY
2.1 BOLT M5x12	1
2.2 DER. HANGER MTB STD X12	1

FRAME HARWARE



⚠ Always follow the recommended torque settings.

03 ADHESIVE RUBBER CHAINSTAY PROTECTOR ALMA 2021

ART N°: X0820000	QUANTITY
ADHESIVE RUBBER CHAINSTAY PROTECTOR ALMA 2021	1

04 SEATPOST CLAMP 31.8 BLACK

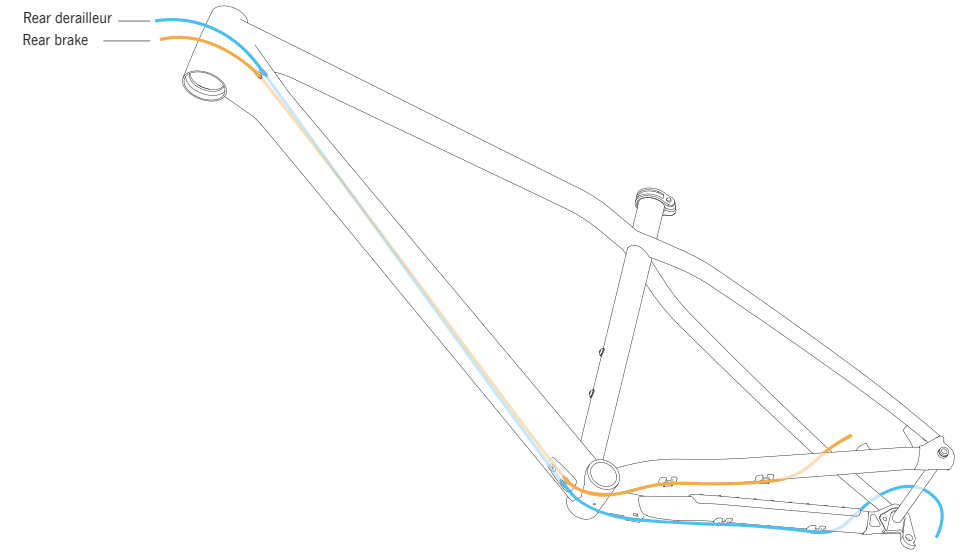
ART N°: X0760000	QUANTITY
SEATPOST CLAMP 31.8 BLACK	1

05 BB CABLE GUIDE ALMA H 21

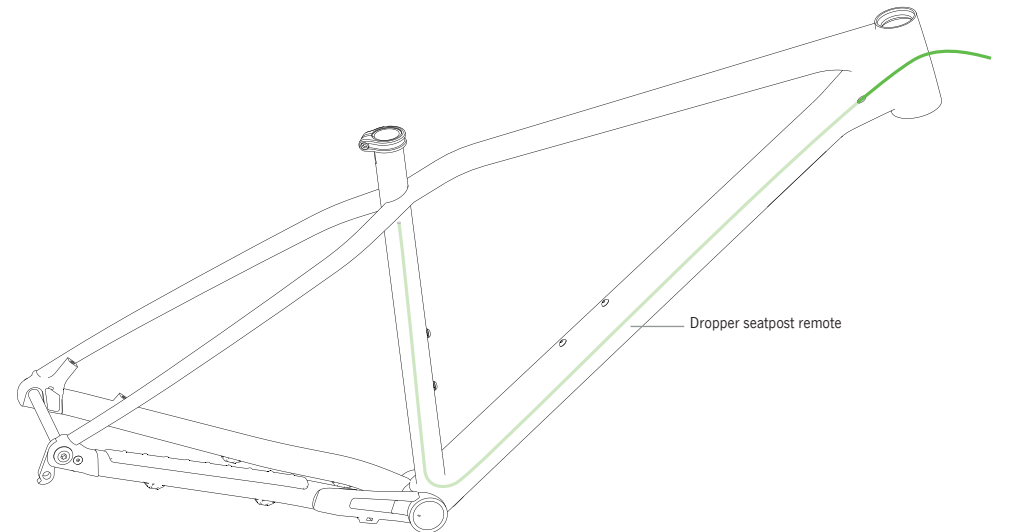
ART N°: X0830000	QUANTITY
5.1 BB CABLE GUIDE ALMA H	1
5.2 BOLT M5x12	1

CABLING

REAR BRAKE AND REAR DERAILLEUR CABLE ROUTING



DROPPER SEATPOST REMOTE CABLE ROUTING



SUSPENSION

Due to the several different fork options assembled on Alma H models, Orbea does not include a setting guide for every fork in this manual.

You can consult the specifications and settings for your fork model in the manufacturer's documentation in the links below.

ROCKSHOX FORK MODELS

USER MANUAL

www.servicearchive.sram.com/sites/default/files/techdocs/gen.000000006209_rev_a_suspension_setup_and_tuning_guide_english.pdf

AIR AND REBOUND SETTING

Access the chart and look for your fork model:

www.sram.com/globalassets/document-hierarchy/service-manuals/rockshox/front-suspension/gen.0000000005952-2020-fs-oil-air-coil-token-specification-english-rev-a.pdf

06 DECLARATION OF CONFORMITY

 DECLARACIÓN DE CONFORMIDAD CE EC DECLARATION OF CONFORMITY	
El fabricante / The manufacturer:	Orbea S. Coop. Ltda Polígono Industrial Goltondo s/n 48269, Mallabia (Bizkaia) - Spain
Declara que los siguientes productos / Declares that the following products:	
Descripción / Description	Bicicleta
Marca / Marca	ORBEA
Modelos / Models	ALMA, AVANT, CARPE, COMFORT, DUDE, GROW, MX 27, MX 29, MX 24, MX 20, MX 16, KATU, LOMI, OIZ, ORCA, ORDU, OCCAM, RALLON y SPORT.
Año de construcción / Year of manufacture	: 2020 and 2021
Cumplan con las siguientes Directivas Europeas / Fulfills the following European Directives:	
- Directiva 2001/95/CE / Directive 2001/95/EC - Decisión de la Comisión 2015/681/CE / Decision of Commission 2015/681/EC	
El sistema de fabricación está gestionado y controlado según ISO 9001:2015	
Cumple con los requerimientos del Decreto Francés N.º 95-837 del 1995/08/24 / Comply with the requirement of France law N.º 95-837 dated 1995/08/24	
Cumple con los requerimientos del Decreto Español N.º 339/2014 del 2014/05/09 / Comply with the requirement of Spanish law N.º 339/2014 dated 2014/05/09	
Cumple con las siguientes normas internacionales / The following international standards:	
- EN ISO 4210 (1 al 9):2014	
Persona autorizada para elaborar el expediente técnico / Authorized person to elaborate the technical file:	
Nombre / Name	: Aitor Juaristi
Dirección / Address	: Polígono Industrial Goltondo s/n 48269, Mallabia (Bizkaia) - Spain
Orbea S. Coop. Ltda	
 Aitor Juaristi Quality Manager 26/06/2020	

07 ADDITIONAL INFORMATION

ORBEA participates actively on facebook and Twitter with our fantastic global community of riders. Looking to find spots to ride or plan a vacation? Someone will have the answers:

FACEBOOK

www.facebook.com/OrbeaBicycles

TWITTER

www.twitter.com/Orbea/

YOUTUBE

Visit our Orbea Channel on You Tube for a variety of helpful setup and tech videos:

www.youtube.com/user/OrbeaBicycles

INSTAGRAM

www.instagram.com/orbeabicycles

ORBEA CONTENT

View and download photos, videos and documents.

content.orbea.com/us-en/

BLOG ORBEA

www.orbea.com/es-es/blog/

YOUR ORBEA DEALER

Our dealers are experts and should be able to assist you with setting up and maintaining your Orbea bicycle. A complete listing of Orbea dealers and distributors can be located on our website:

www.orbea.com/us-en/dealers/?country=INT

CONTACT

Access Orbea's contact details and form at:

www.orbea.com/es-es/contacto

USA:

www.orbea.com/us-en/contact/



ÍNDICE

01 INTRODUCCIÓN	30
Leyenda de símbolos	
02 GARANTÍA ORBEA	32
03 MANTENIMIENTO	34
Periodos de mantenimiento	
Recambios	
Después de un golpe o impacto	
04 ADVERTENCIAS DE USO	38
Tamaño máximo de cubierta	
Inserción mínima de la tija	
Longitud máxima de la horquilla	
Máximo número de separadores de dirección	
Separadores de dirección encima de la potencia	
Uso previsto	
05 ALMA HYDRO 2021	41
Geometría y ergonomía	
Especificaciones técnicas	
Montaje y repuestos	
Dirección	
Eje trasero / Pata de cambio	
Piecerío cuadro	
Cableado	
Suspensión	
06 DECLARACIÓN DE CONFORMIDAD	52
07 INFORMACIÓN ADICIONAL	53

01 INTRODUCCIÓN

Este manual técnico contiene información importante de tu bicicleta sobre su uso, mantenimiento y repuestos. Léelo con atención.

Este documento es un suplemento del Manual General de Usuario de bicicletas y componentes Orbea, que describe de forma más detallada el uso apropiado y ajuste de los componentes generales de las bicicletas para una circulación y operación seguras. Puedes ver y descargar el Manual de Usuario, así como el resto de manuales técnicos de productos Orbea, de nuestra página web:

www.orbea.com/es-es/soporte/manuales

Puedes consultar la información relevante de uso, mantenimiento y características de los componentes de otros fabricantes montados en nuestras bicicletas, como ruedas, manillares, sistemas de asistencia al pedaleo, horquillas de suspensión, etc. en la web del fabricante en cuestión o a través de su distribuidor en tu país.





LEYENDA DE SÍMBOLOS


A lo largo de este manual técnico, se utilizan varios símbolos que detallan instrucciones y advertencias de uso, mantenimiento y montaje. Presta atención a estos símbolos para evitar situaciones peligrosas y asegurar el uso y montaje correcto de todos los componentes.


El significado de estos símbolos se explica a continuación. En este manual, puede que el símbolo aparezca acompañado únicamente de la instrucción relevante para el componente en que describe. Lee la siguiente información con atención para entender su significado.

INSTRUCCIONES DE SEGURIDAD

 **PELIGRO:** Situación peligrosa que, si no se evita, provocará lesiones graves o incluso la muerte.

 **ADVERTENCIA:** Situación peligrosa que, si no se evita, puede causar lesiones graves o incluso la muerte.

 **ATENCIÓN:** Situación peligrosa que, de no evitarse, podría provocar lesiones leves o moderadas.

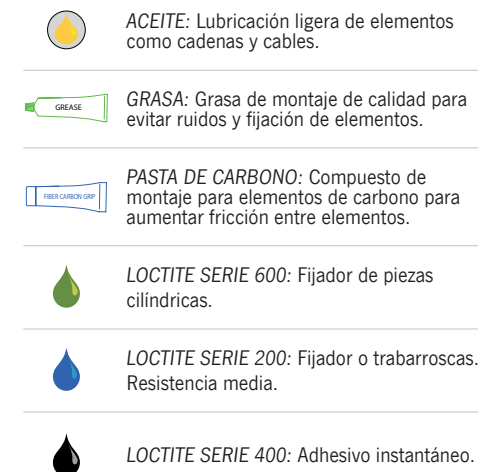
 **AVISO:** Situación no relacionada con lesiones físicas. Información relevante.

Los símbolos PELIGRO y ADVERTENCIA siempre implican un riesgo de accidente si no se toman medidas para evitar la situación que describen. Un accidente circulando con una bicicleta siempre puede conllevar riesgo de lesiones graves o incluso de muerte. En este manual no siempre se repetirá el riesgo de muerte cuando aparezcan estos símbolos, ya que el riesgo se detalla en este punto.

HERRAMIENTAS



TIPO DECOMPUESTO



02 GARANTÍA ORBEA

Nuestro esfuerzo continuo y diario por ofrecer la máxima calidad en nuestras bicicletas nos permite brindar la siguiente garantía y condiciones de cobertura:

GARANTÍA LEGAL

Orbea ofrece al propietario original de la bicicleta Orbea, horquilla rígida o el componente OC una garantía legal de 2 años desde el momento de la compra del artículo, o el periodo estipulado como garantía legal en el país de compra.

Esta garantía cubre todos los productos de Orbea frente a defectos de fabricación y/o falta de conformidad y garantiza la reparación o sustitución del producto defectuoso sin coste adicional para el cliente afectado. Igualmente, esta garantía cubre también los defectos de pintura, barniz y corrosión de todos los cuadros y horquillas rígidas que montamos en nuestras bicicletas por el periodo especificado en el párrafo anterior de esta garantía.

Esta garantía no cubre en ningún caso los daños derivados de un uso inadecuado, caídas o accidentes o falta de mantenimiento, así como el deterioro habitual de las piezas de desgaste tales como, a título meramente informativo y no limitativo: retenes, rodamientos, cinta de manillar, radios, cubiertas, sillines, etc.

Para conocer la descripción completa de las condiciones de la cobertura y la garantía legal, visita:

www.orbea.com/es-es/garantia

GARANTÍA DE POR VIDA ORBEA

Como complemento a la garantía legal, Orbea ofrece al comprador original de la bicicleta, siempre que haya registrado su producto en el sitio web de Orbea en los 30 días siguientes a la compra, la garantía comercial de por vida Orbea, que cubre los cuadros y horquillas rígidas que montamos en nuestras bicicletas sin límite temporal frente a defectos de fabricación y conformidad de los materiales.

Esta garantía amplía el periodo original de cobertura de los defectos de pintura, barniz y corrosión de los cuadros y horquillas rígidas durante un año más al final del periodo de garantía legal.

La garantía comercial de por vida Orbea sólo cubre cuadros y horquillas rígidas, no componentes OC.

Para conocer la descripción completa de las condiciones de la garantía de por vida, visita:

www.orbea.com/es-es/garantia/#garantia-deporvida-orbea

REGISTRA TU BICICLETA

Para beneficiarte de la ampliación de la garantía de por vida Orbea, debes registrar tu bicicleta en los 30 días siguientes a su compra en:

www.orbea.com/es-es/acceso-registro?from=register-plate/

01. REGISTRA TU CUENTA

02. REGISTRA TU MATRÍCULA

03. DONDE ENCONTRAR TU MATRÍCULA



PROCESO DE RECLAMACIONES DE GARANTÍA

Todas las reclamaciones de garantía deben ser procesadas a través de un distribuidor autorizado Orbea, quien realizará el diagnóstico inicial y remitirá a Orbea toda la documentación necesaria para realizar un diagnóstico completo de la reclamación en cuestión. El distribuidor informará al propietario del estado del proceso y de la decisión sobre la reclamación de garantía por Orbea.

Te recomendamos que siempre acudas al distribuidor donde compraste tu bicicleta para tramitar una reclamación de garantía, o a aquel que elegiste durante el proceso de compra de una bicicleta que te fue entregada directamente en tu domicilio. En caso de no poder acudir al distribuidor original, puedes comprobar la lista de distribuidores autorizados en nuestra web o contactar con Orbea para que te indiquemos el distribuidor al que acudir.

www.orbea.com/es-es/distribuidores/?country

www.orbea.com/es-es/contacto/

03 MANTENIMIENTO

Los productos Orbea son cuidadosamente diseñados para ser duraderos, eficientes y fáciles de mantener. Los cuadros y horquillas de carbono y aluminio son extremadamente resistentes a la corrosión.

Sin embargo, tu bicicleta necesita un mantenimiento periódico de sus componentes para asegurar su correcto funcionamiento, seguridad y longevidad.

MANTÉN LIMPIA TU BICICLETA

Limpia tu bicicleta con agua y jabón suave de manera regular para mantenerla como el primer día y poder comprobar el estado del cuadro y sus componentes. No utilices agua a presión, ya que podría dañar componentes como los rodamientos o los tubos del cuadro.

Los desengrasantes a base de cítricos son biodegradables y resultan muy eficaces para eliminar la grasa de los componentes de la transmisión y la cadena.



La suciedad acumulada puede dificultar la inspección visual de los componentes y ocultar daños que podrían potencialmente producir averías o accidentes.

AVISO

La suciedad acumulada provoca el desgaste prematuro de los componentes, y puede incluso dañar el cuadro de la bicicleta en zonas como alojamientos de rodamientos y partes móviles. Los daños por falta de limpieza y mantenimiento no están contemplados por las coberturas de garantía.

MANTÉN LUBRICADA TU TRANSMISIÓN

Una vez hayas limpiado tu bicicleta, lubrica la transmisión, concretamente la cadena. Utiliza la mínima cantidad necesaria para lubricar los eslabones, limpiando cualquier exceso para evitar que éste atraiga la suciedad y provoque que la transmisión no funcione correctamente y el desgaste prematuro de los componentes.



Evita el uso de lubricantes en aerosol para que éstos no se depositen en las superficies de frenado. Siempre comprueba los frenos tras lubricar la transmisión.

INSPECCIONA TU BICICLETA ANTES DE CADA SALIDA

Realiza una inspección rápida antes de cada salida para verificar que tu bicicleta se encuentra en óptimo estado de funcionamiento. Podrías encontrar pequeños problemas que se pueden convertir en incidencias importantes durante el trayecto.

CUADRO: Inspecciona el cuadro y la horquilla en busca de daños o grietas. No debe presentar ruidos extraños. Ante cualquier daño en el cuadro, evita el uso de la bicicleta y contacta con tu distribuidor autorizado para una revisión.

CADENA: Debe estar limpia y lubricada, y la transmisión no debe producir ruidos fuera de lo normal.

FRENOS: Verifica que los frenos funcionan correctamente y de manera segura. Verifica los pares de apriete de los componentes.

CUBIERTAS: Comprueba el desgaste de las cubiertas y busca cortes en la banda de rodadura o en los laterales, si encuentras daños, reemplaza la cubierta. Comprueba que la presión de los neumáticos es la adecuada.

RUEDAS: Comprueba que las ruedas giran de manera suave y que no tiene desviaciones laterales. Tira ligeramente de la rueda hacia los lados para comprobar que no hay ningún juego lateral en los rodamientos. Verifica que no haya ningún radio roto o flojo. Comprueba que los ejes o cierres rápidos están apretados de manera segura y al par de apriete correcto.

DIRECCIÓN: Acciona el freno delantero y mueve la parte frontal de la bicicleta hacia adelante y hacia atrás ejerciendo presión en el manillar con la rueda delantera en el suelo. Comprueba que no haya ruidos extraños o movimiento de la dirección, que podría indicar que los rodamientos están gastados o la dirección no está apretada correctamente. Con la dirección ajustada correctamente, comprueba que la dirección gira de manera suave.

PUNTOS DE GIRO DEL BASCULANTE: En bicicletas de doble suspensión, comprueba que todos los puntos de giro del basculante giren de manera suave y no presenten juego en los rodamientos. Tira del basculante hacia un lado y otro de la bicicleta y presta atención a ruidos o juego

en los puntos de giro. Si el basculante no funciona suavemente o presenta juego, podría ser un indicador de que los pares de apriete no son correctos o que los rodamientos están desgastados o dañados.

RODAMIENTOS: Los rodamientos (eje de pedalier, puntos de giro del basculante, dirección, ruedas, etc) son elementos de desgaste que deben ser comprobados periódicamente para garantizar su correcto funcionamiento. Rodamientos en mal estado pueden dañar los componentes en los que están instalados. Condiciones meteorológicas adversas aceleran el desgaste de los rodamientos. Rodamientos que presentan juego o que no giran suavemente deben ser reemplazados inmediatamente. Ante cualquier duda, consulta con tu distribuidor autorizado.

AVISO

Daños en componentes como el cuadro, ruedas de tu bicicleta, etc, derivados de falta de mantenimiento y sustitución de los rodamientos no están cubiertos por las condiciones de la garantía.



No seguir las indicaciones descritas en estos puntos y utilizar una bicicleta que presenta los síntomas descritos puede provocar accidentes y lesiones graves.



PARES DE APRIETE. Siempre comprueba los pares de apriete e instala los componentes descritos en este manual siguiendo las indicaciones del par de apriete. Sigue las indicaciones de pares de apriete para componentes de otros fabricantes instalados en tu bicicleta Orbea. No observar estas indicaciones puede conducir a la falla de los componentes, accidentes e incluso la muerte.

PERIODOS DE MANTENIMIENTO

AVISO

Los periodos de mantenimiento de los componentes indicados a continuación son orientativos, y dependen en gran medida de factores como las condiciones meteorológicas de uso de la bicicleta (condiciones adversas reducen considerablemente la vida de los componentes y los tiempos de mantenimiento), limpieza de la bicicleta y sus componentes (componentes con suciedad acumulada se desgastan más rápidamente) y uso (un uso más exigente de la bicicleta requerirá periodos de mantenimiento más cortos).

Para componentes de otras marcas montados en bicicletas Orbea, puedes comprobar los periodos de mantenimiento recomendados u obligatorios en la web del fabricante o contactando con el distribuidor de la marca en tu país.

AVISO

Daños en los componentes derivados del no cumplimiento de los periodos de mantenimiento podría ocasionar daños que no estarían cubiertos por las condiciones de garantía de Orbea o del fabricante del componente.



El no cumplimiento de los periodos de mantenimiento puede producir daños en los componentes que deriven en averías y accidentes.

DIRECCIÓN:

- Inspección del funcionamiento antes de cada uso de la bicicleta.
- Desmontaje e inspección manual de los rodamientos cada 6 meses de uso.

PEDALIER:

- Inspección del funcionamiento antes de cada uso de la bicicleta.
- Desmontaje e inspección manual de los rodamientos cada 6 meses de uso.

TRANSMISIÓN:

- Inspección del funcionamiento antes de cada uso de la bicicleta.
- Inspección regular del desgaste de la cadena cada 500 km. Una cadena gastada más allá de las recomendaciones del fabricante debe ser sustituida para evitar daños al resto de componentes de la transmisión. No observar las indicaciones de desgaste del fabricante podría requerir la sustitución del resto de elementos de la transmisión.

RUEDAS:

- Inspección del funcionamiento antes de cada uso de la bicicleta.
- Desmontaje y revisión manual de los rodamientos y todos los componentes cada 6 meses.

AMORTIGUADORES Y HORQUILLAS DE SUSPENSIÓN:

- Inspección del funcionamiento antes de cada uso de la bicicleta.
- Revisión y mantenimiento completo cada 125 horas o anual (lo que antes ocurra) por el distribuidor autorizado por el fabricante.

TIJAS TELESCÓPICAS:

- Inspección del funcionamiento antes de cada uso de la bicicleta.
- Revisión y mantenimiento completo cada 125 horas o anual (lo que antes ocurra) por el distribuidor autorizado por el fabricante

PUNTOS DE GIRO EN CUADROS DE DOBLE SUSPENSIÓN:

- Inspección del funcionamiento antes de cada uso de la bicicleta.
- Desmontaje del cuadro e inspección manual de todos los rodamientos cada 125 horas de uso o anual (lo que antes ocurra). Estos tiempos podrían acortarse dependiendo de las condiciones de uso de la bicicleta. Un uso exigente de la bicicleta o en condiciones meteorológicas adversas o con barro requiere el desmontaje e inspección del cuadro cada 75 horas de uso o cada 6 meses (lo que antes ocurra). Si un rodamiento no gira suavemente o tiene juego, debe ser reemplazado inmediatamente.

CABLES Y FUNDAS DE CAMBIO:

- Inspección del funcionamiento antes de cada uso de la bicicleta.

- Sustitución de cables de cambio cada 6 meses o un año, dependiendo de las condiciones de uso de la bicicleta.

FRENOS:

- Inspección del funcionamiento y del desgaste de las pastillas o zapatas de freno antes de cada uso de la bicicleta.
- Comprobación del desgaste de los discos de freno y los cables o líneas hidráulicas cada 6 meses o un año, dependiendo de las condiciones de uso de la bicicleta. Purgado de las líneas hidráulicas cada año.



Algunas de estas comprobaciones y mantenimientos están más allá del conocimiento mecánico de la mayoría de usuarios de bicicletas. Si no estás cualificado para realizar los mantenimientos necesarios, acude siempre a un distribuidor Orbea para el mantenimiento de tu bicicleta y sus componentes. No realizar los mantenimientos de manera adecuada puede resultar en averías y accidentes de graves consecuencias.

AVISO

Mantenimientos realizados de manera incorrecta pueden producir daños en los componentes que no están cubiertos por las condiciones de la garantía.

RECAMBIOS

Utiliza siempre recambios originales Orbea o del fabricante del componente en cuestión. El uso de repuestos no originales puede producir daños que deriven en averías y accidentes de graves consecuencias.



La instalación de alguno de los repuestos en este manual técnico está más allá del conocimiento mecánico de la mayoría de usuarios de bicicletas. Si no estás cualificado para instalar estos repuestos, acude siempre a un distribuidor Orbea para el mantenimiento de tu bicicleta y sus componentes. No instalar los repuestos de manera adecuada puede resultar en averías, accidentes y lesiones graves.

AVISO

La instalación de repuestos no originales pueden producir daños en tu bicicleta que no están cubiertos por las condiciones de garantía.

DESPUÉS DE UN GOLPE O IMPACTO

Caerse de la bicicleta es inherente al ciclismo. Si sufres un accidente con tu bicicleta Orbea, asegúrate de que te encuentras bien y pide atención médica si es necesario. Si no has sufrido lesiones, deberás comprobar el estado de tu bicicleta antes de continuar.

INSPECCIONA EL CUADRO Y LOS COMPONENTES DE LA BICICLETA PARA COMPROBAR SI HAN SUFRIDO DAÑOS

Si detectas algún problema, no sigas circulando con la bicicleta.

PUNTOS A REVISAR

Inspecciona el cuadro y la horquilla para identificar si cualquiera de estos componentes se ha roto o doblado. Si detectas alguna rotura o grieta, debes dejar de utilizar la bicicleta inmediatamente. En cuadros de carbono, busca grietas o zonas blandas en el carbono, si detectas alguno de estos síntomas, debes dejar de utilizar la bicicleta inmediatamente.



Los materiales utilizados en cuadros y horquillas de carbono son rígidos y fuertes, pero ante una sobrecarga o impacto, las fibras no se doblan, se rompen. Un impacto lo suficientemente fuerte en este material podría producir daños que, aunque no visibles a primera vista, podrían producir un fallo de los materiales en el futuro. Ante cualquier duda de las consecuencias de una caída o accidente, contacta con tu distribuidor Orbea para un correcto diagnóstico de los materiales.

Comprueba la transmisión y las ruedas para asegurarte de que los componentes funcionen correctamente. Si descubres algún daño en los componentes, deja de utilizar la bicicleta inmediatamente.

Incluso en el caso de que no observes daño alguno, presta la máxima atención al sonido de tu bicicleta cuando vuelvas a montar en ella. Las roturas y otros problemas pueden provocar ruidos poco habituales. Si identificas algún ruido poco habitual, deja de usar la bicicleta inmediatamente y contacta con tu distribuidor Orbea para un correcto diagnóstico de la misma.

LLEVA TU BICICLETA ORBEA A UN DISTRIBUIDOR AUTORIZADO PARA SOMETERLA A UNA INSPECCIÓN PROFESIONAL

Algunas de las consecuencias de una caída o accidente sólo pueden detectarse desmontando la bicicleta completamente para comprobar la presencia de roturas u otras señales de deterioro.



Un golpe o impacto pueden ocasionar graves desperfectos en tu bicicleta y en los componentes de ésta., provocando que fallen o se desgasten prematuramente. Los fallos pueden producirse de manera repentina y sin previo aviso, causando la pérdida de control de la bicicleta, lesiones graves o incluso la muerte.

04 ADVERTENCIAS DE USO

TAMAÑO MÁXIMO DE CUBIERTA

Este manual técnico especifica el tamaño máximo de cubierta que puede ser montado en el cuadro, siempre respeta estas indicaciones al instalar una cubierta en tu bicicleta.

Sin embargo, las medidas reales de circunferencia y ancho de cubierta pueden cambiar de un fabricante a otro. Al instalar una cubierta diferente a la que montaba tu bicicleta Orbea originalmente, comprueba que la distancia entre la parte superior y los laterales de la cubierta es de al menos 6 mm entre la misma y cualquier parte del cuadro.

AVISO Daños en el cuadro o los componentes debidos al uso de una cubierta que no observe estas medidas no están cubiertas por las condiciones de la garantía.

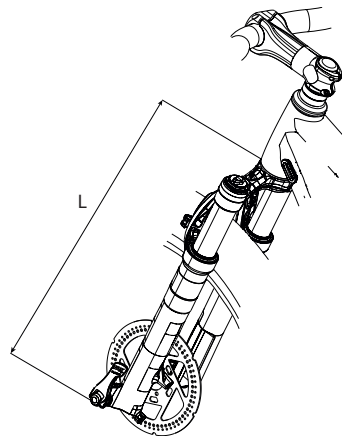
INSERCIÓN MÍNIMA DE LA TIJA DE SILLÍN

Siempre respeta las indicaciones de inserción mínima de la tija a utilizar o del cuadro en bicicletas de carretera con tijas exclusivas Orbea. No respetar estas indicaciones puede producir esfuerzos en los materiales más allá de las condiciones para las que fueron diseñados y producir roturas no cubiertas por las condiciones de garantía, así como accidentes que pueden producir lesiones graves.

LONGITUD MÁXIMA DE HORQUILLA (AXLE-TO-CROWN)

Respeta siempre la longitud máxima de horquilla listada en la sección de especificaciones técnicas de este manual. La longitud máxima de horquilla se refiere a la distancia entre el eje de la horquilla y la parte inferior de la pipa de dirección (axle-to-crown).

⚠ No respetar esta medida e instalar horquillas con una longitud mayor que la máxima especificada puede forzar el cuadro más allá de las características para las que fue diseñado, pudiendo producir fallos en el material que podrían ser causa de accidentes y lesiones graves.

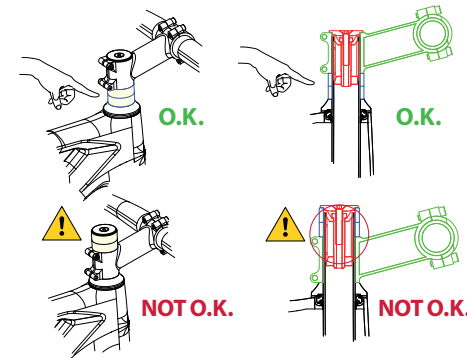


MÁXIMO NÚMERO DE SEPARADORES DE DIRECCIÓN

⚠ Nunca uses más separadores de dirección debajo de la potencia que los indicados para el cuadro. Consulta las tablas de especificaciones para saber el número máximo de separadores de dirección que admite un cuadro Orbea. Instalar más separadores que los permitidos puede forzar los materiales más allá del uso para los que fueron diseñados, lo que puede provocar accidentes y lesiones graves.

SEPARADORES DE DIRECCIÓN ENCIMA DE LA POTENCIA

POSICIÓN DEL EXPANSOR DE DIRECCIÓN DENTRO DEL TUBO DE LA HORQUILLA. HORQUILLAS DE CARBONO



⚠ Nunca instales separadores de dirección por encima de la potencia. Colocar separadores por encima de la potencia, especialmente en horquillas con el tubo de dirección de carbono, puede provocar que el expansor de dirección dentro del tubo de la horquilla quede posicionado por encima del límite inferior de la potencia, lo que puede forzar los materiales más allá del uso para los que fueron diseñados, potencialmente provocando accidentes y lesiones graves.

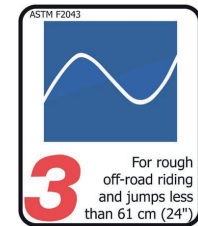
⚠ La longitud del tubo de dirección de la horquilla siempre debe ser el adecuado para la posición de la potencia en la horquilla. La potencia siempre debe instalarse en el tubo de dirección de la horquilla de manera que ambos tornillos de amarre de la zona posterior de la potencia estén posicionados sobre el tubo de dirección de la horquilla. Nunca montes la potencia de tal manera que el tornillo superior de amarre de la potencia al tubo de dirección quede más arriba del borde superior del tubo de dirección de la horquilla. Esto forzará los materiales más allá del uso para los que fueron diseñados, potencialmente provocando accidentes y lesiones graves.

USO PREVISTO

El uso previsto de todos los modelos es ASTM Condition 3, que prevee su uso bajo las condiciones 1 y 2, además de senderos técnicos y naturales con cortados y saltos de hasta 61 cm.

El uso en este terreno requiere de habilidades técnicas y puede llevar a ciclistas principiantes a sufrir lesiones.

Para conocer todas las categorías ASTM, consulta el manual de usuario.



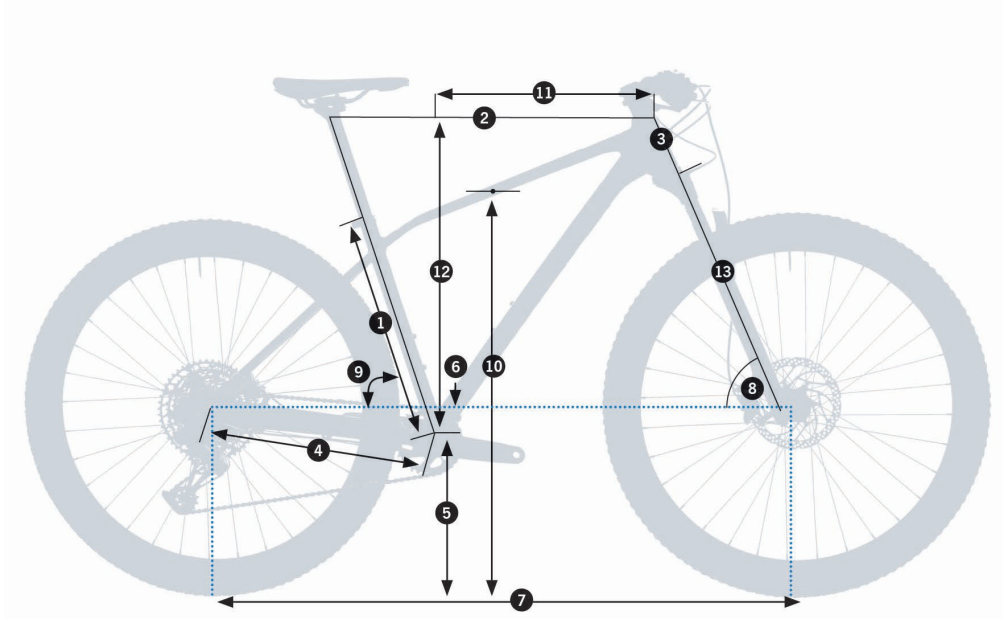


05 ALMA

HYDRO 2021

GEOMETRÍA Y ERGONOMÍA

ALMA HYDRO



TALLA	S	M	L	XL
1 - Tubo de sillín (C-T)	400	445	483	533
2 - Tubo horizontal (EFF)	562	596	620	650
3 - Tubo frontal	100	110	120	135
4 - Vaina	435	435	435	435
5 - Altura eje pedalier	309	309	309	309
6 - Caída eje pedalier	61	61	61	61
7 - Distancia entre ejes	1.092	1.127	1.152	1.184
8 - Ángulo frontal	68	68	68	68
9 - Ángulo del sillín	74.5	74.5	74.5	74.5
10 - Altura base	721	735	791	829
11 - Largo del cuadro	395	426	448	474
12 - Altura del cuadro	602	612	621	635
13 - Longitud horquilla	501.6	501.6	501.6	501.6

ALTURA (CM)	ALTURA (IN)	TALLA*
155-170	61.1"-66.9"	S
165-180	65.0"-70.9"	M
178-190	70.1"-74.8"	L
185-198	72.8"-78.0"	XL

* Las medidas de la tabla de ergonomía y tallas son orientativas. El método más efectivo para saber qué talla se ajusta mejor a ti es probar la bicicleta en uno de nuestros distribuidores.

ALTURAS MÁXIMAS Y MÍNIMAS DE SILLÍN CON TIJA TELESCÓPICA

En la siguiente tabla se detallan las alturas máximas y mínimas de sillín con la tija telescópica en posición extendida por cada talla de cuadro.

La altura máxima se refiere a la altura de sillín con la tija instalada en su inserción mínima, definida por la tija.

La altura mínima se refiere a la altura de sillín con la tija instalada en su inserción máxima, definida por el cuadro.

Sólo se detallan las alturas máximas y mínimas para las opciones de tija telescópica y sillines montados por Orbea para un cuadro en concreto. Para conocer estas cotas al utilizar una tija telescópica diferente, consulta las especificaciones con el fabricante de la tija y consulta las medidas de inserción máxima del cuadro en la sección de especificaciones técnicas de este manual.

AVISO

Las cotas de la siguiente tabla definen la distancia entre el centro de la caja de pedalier hasta la mitad de la parte superior del sillín (modelos de sillín montados por Orbea).

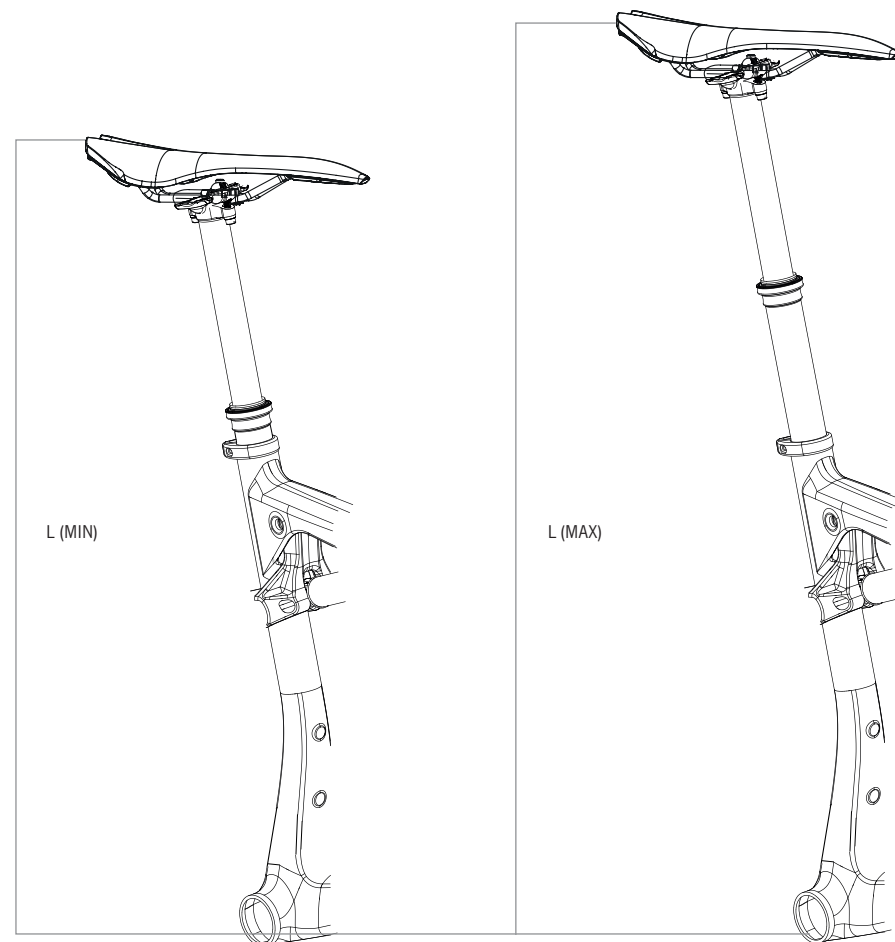
Diferentes sillines en el mercado pueden variar las cotas dadas +/-5mm dependiendo de la altura del modelo de sillín. Si tu altura de sillín difiere de una cota dada por menos de 5mm, es posible ajustar esta altura instalando un modelo de sillín diferente disponible en el mercado.

Si tu altura de sillín difiere de las cotas dadas por más de 5mm, debes elegir una tija telescópica de mayor o menor recorrido.

CUADRO/TALLA

MODELO TIJA TELESCÓPICA		ALMA H (S)	ALMA H (M)	ALMA H (L)	ALMA H (XL)
OC 27.2 80mm recorrido	Altura máxima sillín	724mm*	769mm*	806mm*	857mm*
	Altura mínima sillín	660mm*	654mm*	670mm*	721mm*

* Las medidas pueden variar +/-5mm dependiendo de la altura del modelo de sillín.



ESPECIFICACIONES TÉCNICAS

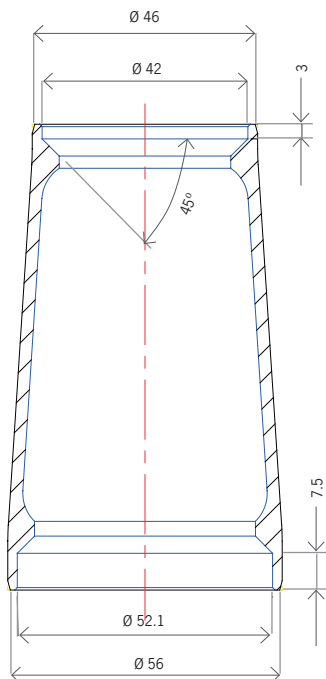
Material del cuadro	ALUMINIO HYDROFORMED 6061 TRIPLE CONIFICADO
Uso recomendado	XC, MARATHON
Tallas	S/M/L/XL
Recorrido de la horquilla	100mm
Recorrido máximo de la horquilla	100mm
Longitud máxima de la horquilla (axle-to-crown)	510.8mm
Separadores de dirección (máximo)	30mm
Tamaño de rueda	29"
Tamaño máx. cubierta	29x2.40
Offset de la horquilla	44mm
Ancho caja de pedalier	73mm
Estándar eje de pedalier	ROSCADO BSA 73mm
Línea de cadena	52mm
Dirección	1" 1/8-1" 1/2 INTEGRADA
Estándar eje trasero	BOOST 148 THRU-AXLE
Medidas eje trasero	12x168mm
Paso de rosca eje trasero	1.5x12mm
Diámetro tija	27.2mm
Diámetro abrazadera de la tija	31.8mm
Inserción máxima de la tija	S (200mm), M (240mm), L (275mm), XL (320mm)
Compatible tija telescópica cableado interno	SÍ
Desviador delantero	NO. SÓLO 1X
Tamaño máx. plato redondo	36T

Tamaño máx. plato oval	34T
Tamaño mín. plato redondo	30T
Tamaño mín. plato oval	30T
Tipo de frenos	DISCO*
Estándar pinza de freno	POST MOUNT
Tamaño máx. disco trasero	160mm
Tamaño mín. disco trasero	160mm
Guíacadena	NO
ISCG	NO
Cableado	Interno en tubo superior. Externo por vainas. Funda completa
Compatible cableado freno trasero izquierda	SÍ. Funda de freno trasero entra en cuadro por lado izquierdo.
Portabidón	2. En todas las tallas
Compatibilidad transmisiones	SHIMANO: 11V y 12V SRAM: 11V y 12V
Compatible SHIMANO D12	NO
Compatible SRAM AXS	SÍ
Compatibilidad potenciómetro	Consulta con el fabricante del componente
Compatible con trailer	NO
Montaje de portabultos	NO
Montaje de guardabarros	NO
Montaje asiento de niño	NO

* No todos los modelos de pinza y disco en el mercado son compatibles con todos los cuadros. Todos los montajes especificados por Orbea están comprobados. Para montajes aftermarket, comprueba dimensiones y tolerancias antes de la compra.

DIRECCIÓN

DIMENSIONES DEL TUBO DE DIRECCIÓN



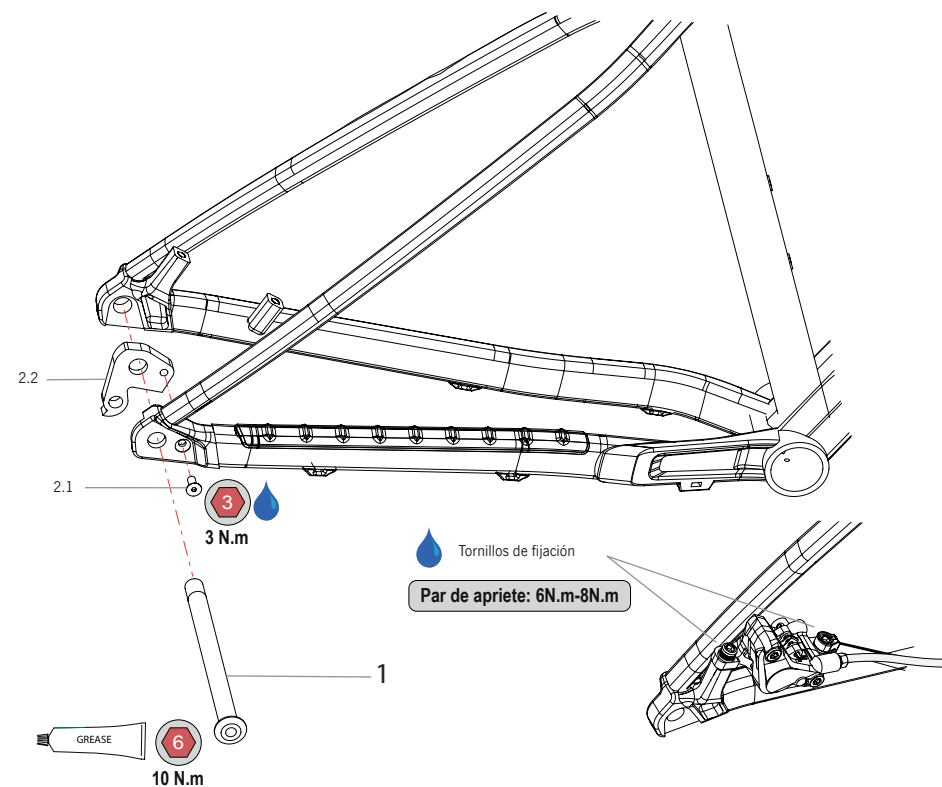
CÓDIGO SHIS DE DIRECCIÓN

DIÁMETRO EXTERNO TUBO DIRECCIÓN	OD46
RODAMIENTO SUPERIOR	IS42/28.6
ÁNGULO RODAMIENTO SUPERIOR	45°
RODAMIENTO INFERIOR	IS52/40
ÁNGULO RODAMIENTO INFERIOR	45°

KIT DIRECCIÓN MTB INTEGRADA 1" 1/8-1" 1/2

ART N°: X0230000	CANTIDAD
DIRECCIÓN MTB ACROS 1 1/8-1,5 INTEGR.	1
TAPÓN+ARAÑA ACROS 1 1/8	1

EJE TRASERO / PATA DE CAMBIO



⚠ Realiza siempre el par de apriete recomendado por Orbea.

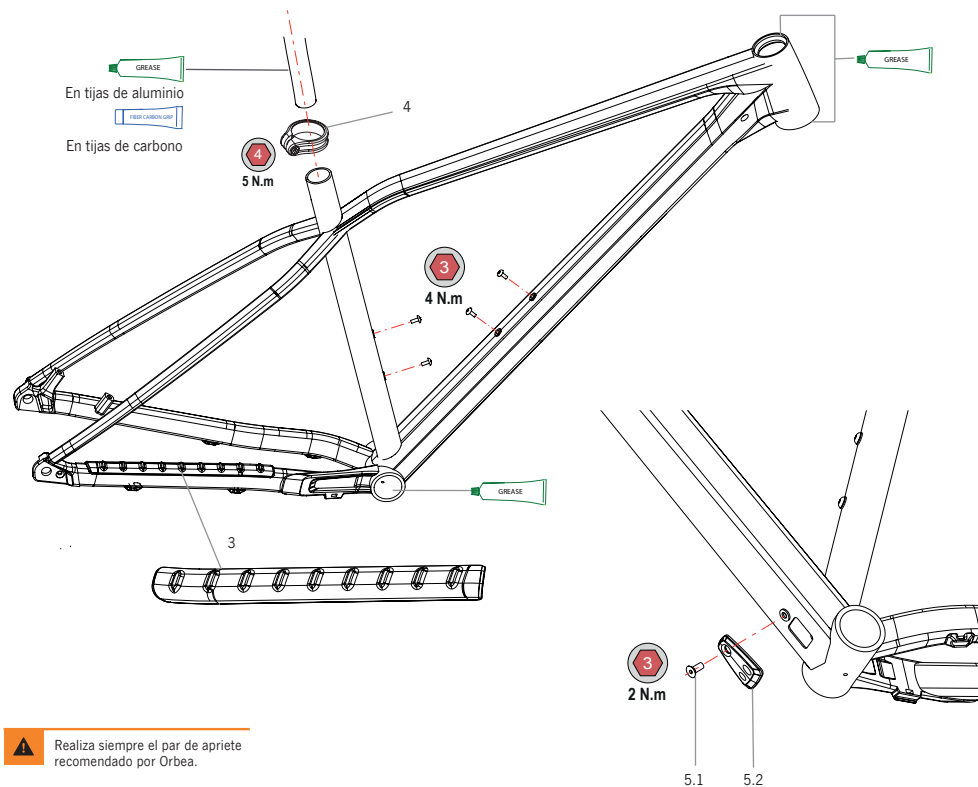
01 EJE TRASERO ORBEA 12x168 (1.5x12)

ART N°: X0800000	CANTIDAD
EJE TRASERO ORBEA 12x168 (1.5x12)	1

02 KIT PATA DE CAMBIO STD X12

ART N°: X0810000	CANTIDAD
2.1 TORNILLO M5x12	1
2.2 PATA CAMBIO MTB STD X12	1

PIECERÍO CUADRO



⚠ Realiza siempre el par de apriete recomendado por Orbea.

03 PROTECTOR ADHESIVO GOMA BASE ALMA H 21

ART N°: X0820000

CANTIDAD

PROTECTOR ADHESIVO GOMA BASE ALMA H 21

1

04 ABRAZADERA SILLÍN 31.8 NEGRA

ART N°: X0760000

CANTIDAD

ABRAZADERA SILLÍN 31.8 NEGRA

1

05 GUIA CABLES PEDALIER ALMA H 21

ART N°: X0830000

CANTIDAD

5.1 TAPA GUÍA CABLE BB ALMA H

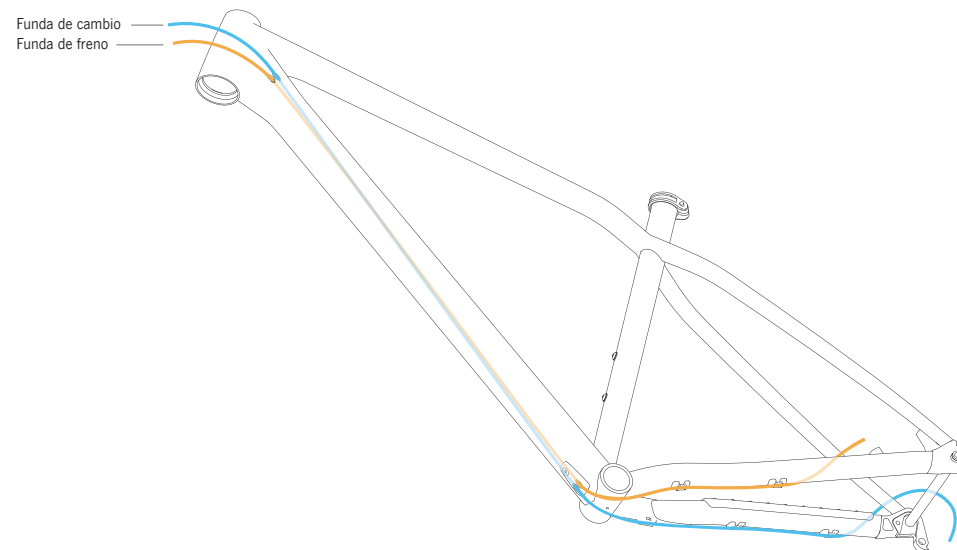
1

5.2 TORNILLO M5x12

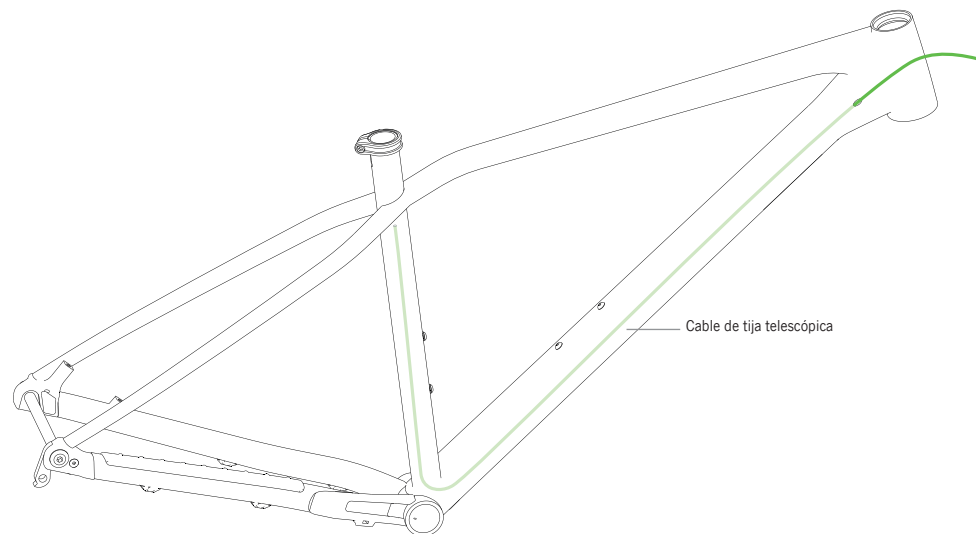
1

CABLEADO

CABLEADO DE CAMBIO Y FRENO TRASEROS



CABLEADO DEL REMOTO DE LA TIJA TELESCÓPICA



SUSPENSIÓN

Debido a los numerosos modelos de horquillas de suspensión montados en nuestras bicicletas, Orbea no incluye en este manual configuraciones concretas para cada modelo de horquilla.

Puedes consultar las características y presiones de aire para tu modelo de horquilla en el enlace a continuación a la documentación del fabricante.

Accede a la tabla y busca tu modelo de horquilla:

www.sram.com/globalassets/document-hierarchy/service-manuals/rockshox/front-suspension/gen.000000005669-2019-fs-oil-air-coil-token-specification-spanish-rev-a.pdf

Recuerda consultar con el fabricante los intervalos de mantenimiento estipulados para que tu horquilla funcione como el primer día y mantener la garantía del fabricante.

www.sram.com/globalassets/document-hierarchy/service-manuals/gen.000000005593-sc2-service-interval-counter-mat-english-rev-d.pdf

06 DECLARACIÓN DE CONFORMIDAD

 DECLARACIÓN DE CONFORMIDAD CE <i>EC DECLARATION OF CONFORMITY</i>	
El fabricante / The manufacturer:	Orbea S. Coop. Ltda Polígono Industrial Goltondo s/n 48269, Mallabia (Bizkaia) - Spain
Declara que los siguientes productos / Declares that the following products:	Bicicleta
Descripción / Description	ORBEA
Marca / Marca	ALMA, AVANT, CARPE, COMFORT, DUDE,
Modelos / Models	GROW, MX 27, MX 29, MX 24, MX 20, MX 16, KATU, LOMI, OIZ, ORCA, ORDU, OCCAM, RALLON y SPORT.
Año de construcción / Year of manufacture	: 2020 and 2021
Cumple con las siguientes Directivas Europeas / Fulfills the following European Directives:	- Directiva 2001/95/CE / Directive 2001/95/EC - Decisión de la Comisión 2015/681/CE / Decision of Commission 2015/681/EC
	<i>El sistema de fabricación está gestionado y controlado según ISO 9001:2015</i>
	<i>Cumple con los requerimientos del Decreto Frances N.º 95-837 del 1995/08/24 / Comply with the requirement of France law N.º 95-837 dated 1995/08/24</i>
	<i>Cumple con los requerimientos del Decreto Español N.º 339/2014 del 2014/05/09 / Comply with the requirement of Spanish law N.º 339/2014 dated 2014/05/09</i>
Cumple con las siguientes normas internacionales / The following international standards :	- EN ISO 4210 (1 al 9):2014
Persona autorizada para elaborar el expediente técnico / Authorized person to elaborate the technical file:	
Nombre / Name	: Aitor Juaristi
Dirección / Address	: Polígono Industrial Goltondo s/n 48269, Mallabia (Bizkaia) - Spain
Orbea S. Coop. Ltda	
Aitor Juaristi	
Quality Manager	
26/06/2020	

07 INFORMACIÓN ADICIONAL

ORBEA participa activamente en Facebook y Twitter con su fantástica comunidad global de ciclistas. ¿Busca algún lugar para andar en bici o pasar sus vacaciones? Seguro que alguien le ofrece ideas interesantes:

FACEBOOK

www.facebook.com/OrbeaBicycles

TWITTER

www.twitter.com/Orbea/

YOUTUBE

Visite el canal de Orbea en YouTube; en él encontrará diversos videos técnicos y de configuración de gran utilidad:

www.youtube.com/user/OrbeaBicycles

INSTAGRAM

www.instagram.com/orbeabicycles

ORBEA CONTENT

Vea y descargue fotos, videos y documentos.

content.orbea.com/us-en/

BLOG ORBEA

www.orbea.com/es-es/blog/

DISTRIBUIDORES ORBEA

Nuestros distribuidores poseen una elevada especialización, por lo que le ayudarán a configurar y mantener su bicicleta Orbea. Puede encontrar una relación completa de distribuidores Orbea en nuestro sitio web:

www.orbea.com/us-en/dealers/?country=INT

CONTACTO

Accede a nuestros datos y formulario de contacto en:

www.orbea.com/es-es/contacto

USA:

www.orbea.com/us-en/contact/



ORBEA

WWW.ORBEA.COM